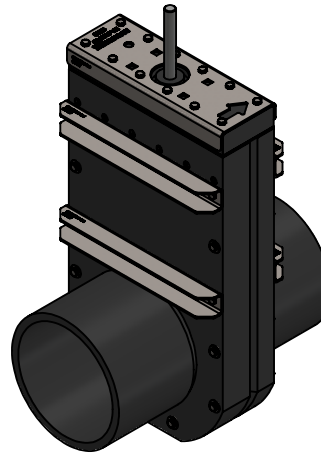
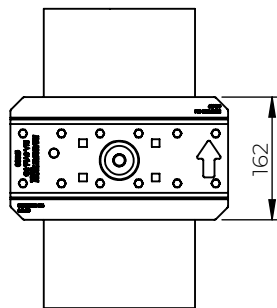


A-A



Approval Signature: _____

Date: _____

√	Article No.	Knife gate material	Spindle material	Reinforcement material
	V70076200	EN1.4404 / AISI 316	EN1.4404 / AISI 316	EN1.4404 / AISI 316
	V70078200	EN1.4462 / AISI 2205	EN1.4462 / AISI 2205	EN1.4404 / AISI 316
	V70079200	EN1.4462 / AISI 2205	EN1.4462 / AISI 2205	EN1.4462 / AISI 2205

Designed By PW	Approved By PW	Created Date 2022-08-29	Units [mm]	General Tolerance ISO 2768-1 m	Scale 1:10	
Material See table		Comment PE100 SDR17 Description SVM-TG Ø200			Updated 2022-09-02	
Weight [kg] 18.00	Box Volume [m³]					
 WAPRO GROUP www.riawatech.com		Article Number See table	Drawing Number svm-tg-Ø200_en	Rev A	Sheet 1 (1)	